

ENVIRO-THERM® THERMAL MANAGEMENT

THERMOSTAT

Catalog No.	Used With	Height (A)	Width (B)	Depth (C)	Contact	Product Code
SCE-TEMNC	Heater	2.40	1.26	1.42	NC	P1
SCE-TEMNO	Fan	2.40	1.26	1.42	NO	P1

Designed to regulate air temperature in enclosures that operate with heaters or fans. This mechanical bi-metallic thermostat has a set point range of 30° to 140°F and is easily installed on 35 mm mounting rail. (NC) Contact normally closed, or (NO) Contact normally open, switch capacity 10 amp 120-250 VAC Resistive load and 1 amp 120-250V AC Inductive load, 1.25 amp 24V DC.

IS 24 - Industry Standards
UL Listed



DUAL THERMOSTAT

Catalog No.	Used With	Height (A)	Width (B)	Depth (C)	Contact	Product Code
SCE-TEMD	Heater & Fan	2.00	2.00	2.00	NC & NO	P1

Designed to regulate air temperature in enclosures that operate with heaters and fans. This mechanical bi-metallic thermostat has a set point range of 30° to 140°F and is easily installed on 35 mm mounting rail. Dual functions as (NC) contact normally closed, or (NO) contact normally open, switch capacity 10 amp 120-250 VAC Resistive load and 1 amp 120-250V AC Inductive load, 1.25 amp 24V DC.

IS 24 - Industry Standards
UL Listed



CHANGEOVER THERMOSTAT

Catalog No.	Used With	Height (A)	Width (B)	Depth (C)	Contact	Product Code
SCE-CTEM	Heater, Fan, Light	2.36	1.54	2.10	NC & NO	P1

Designed to regulate air temperature in enclosures, can operate with heaters, fans or warning lights. Used to switch from heating to cooling. Switches one common contact immediately from one state (NC) to the other (NO) and vice versa. Has a set point range of 32°F to 140°F.

IS 24 - Industry Standards
UL Listed



ELECTRONIC THERMOSTAT 24VDC

Catalog No.	Used With	Height (A)	Width (B)	Depth (C)	Product Code
SCE-TEMEVDC	Thermoelectric Coolers	2.36	1.54	1.53	P1

Designed to regulate air temperature in enclosures and operate with the Thermoelectric Coolers. This electronic thermostat has a set point range of 14° to 176°F and is easily installed on 35 mm mounting rail. 24V DC 16A.

IS 24 - Industry Standards
UL Listed



MECHANICAL HYGROSTAT

Catalog No.	Used With	Height (A)	Width (B)	Depth (C)	Product Code
SCE-HYGRO	Heater, Fan, Light	3.00	2.00	2.00	P1

Designed to regulate relative air humidity in enclosures. Mechanical hygrometers can operate with heaters, fans, or warning lights. Adjustable set point range of 40% to 90% humidity, maximum switch capacity 250V AC.

IS 24 - Industry Standards
UL Listed

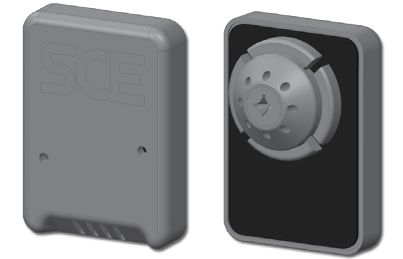


BREATHER VENT

Catalog No.	Height (A)	Width (B)	Depth (C)	Typical Application Location	Product Code
SCE-BVK	2.75	2.00	1.50	Side/Bottom	P1
SCE-BVKD	.75	1.00	1.00	Bottom	P1

Designed for indoor or outdoor applications to handle the large negative pressure differential caused in a tightly sealed enclosure in extreme weather conditions or wash down applications that draw water into the enclosure. Adding a Breather Vent will equalize this pressure differential. Installed on the side of your enclosure as a breather or installed on the bottom as a drain and vent.

Made of corrosion and UV resistant Polycarbonate material.
UL Listed 1, 2, 3, 3R, 3RX, 3S, 4, 4X & 12



SCE-BVK



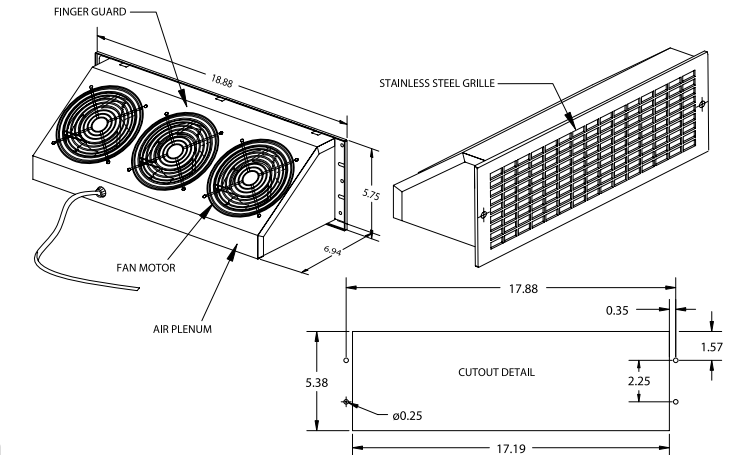
SCE-BVKD

BLOWER PACKAGE

Catalog No.	Height (A)	Width (B)	Depth (C)	CFM	Voltage	Product Code
SCE-BP115	5.75	18.88	6.95	190/230	115	P1
SCE-BP230	5.75	18.88	6.95	190/290	230	P1

Designed for use in enclosures that require cooling but have limited space. Consists of a washable aluminum air filter, steel air plenum, removable stainless steel grille. Grille has captivated thumb nuts for easy access to the filter from the outside. Fan is 115 or 230 volt AC 50/60 Hertz (Hz). The 125 degree angled design provides greater air movement within the enclosure. Air plenum is ANSI 61 gray powder coated. UL listed motor.

IS 24 - Industry Standards
UL Listed



BLOWER PACKAGE (FILTER AND GRILLE)

Catalog No.	Height (A)	Width (B)	Depth (C)	Product Code
SCE-FGABP	5.75	18.88	0.22	P1

Designed for use with SCE Fan Packages and Filter and Grille Package. Aluminum washable filters provide good air filtration.

REMOTE TEMPERATURE DISPLAY

Catalog No.	Height (A)	Width (B)	Depth (C)	Product Code
SCE-RMTD	1.52	3.17	3.31	P1



ETHERNET CONVERTER KIT

Catalog No.	Height (A)	Width (B)	Depth (C)	Product Code
SCE-ETHCK	3.75	2.60	3.00	P1

Designed to be used with the NextGen Air Conditioners to convert Modbus to an ethernet with power supply for 120V and 230V. Provisions and hardware included for fixed screw mount or din rail mount.

